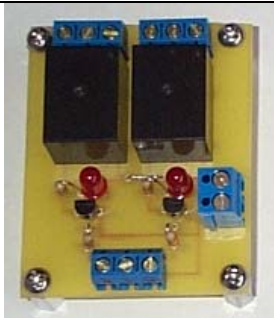


SIMPLECIRCUITBOARDS.COM

TTL-Driven Relay Board – 2 Circuits – 10 Amp

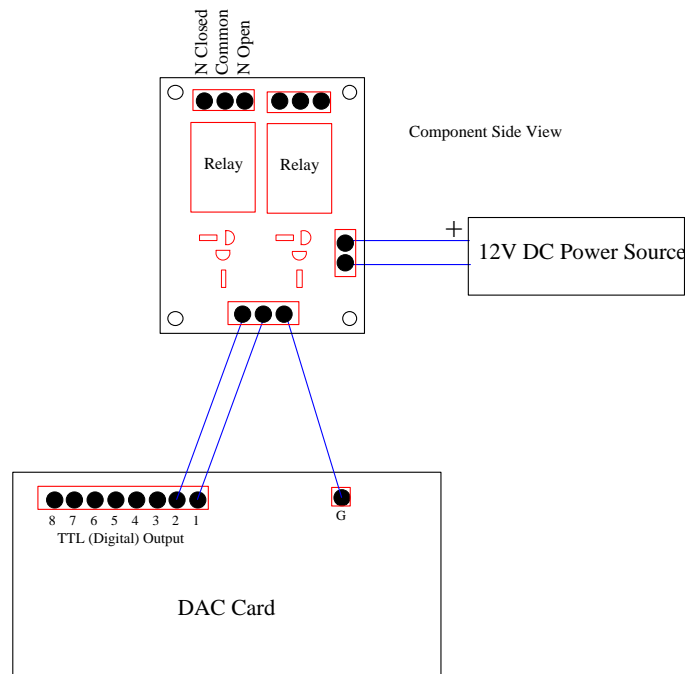


This circuit allows you to use 2 bits (TTL) of digital output (available on almost all low-end DAC boards) to control two other devices or components that draw up to 10 Amps (relay, lamp, etc.) each. The device can either be an AC or DC device. This board uses a relay that has both Normally Open (NO) and Normally Closed (NC) contacts. A very nice small board with lots of uses.

Miscellaneous Information:

The relays on this circuit board are rated for 10 amps of current. The circuit board has not been tested at the maximum rated current. I have routinely used it to switch motors and solenoids that drew around 3 amps each for extended periods of time and have not seen any problems with the circuit handling those loads and expect it to perform well at higher currents. There is some back-EMF protection offered by the LED circuit and the circuit traces for the relay have been “beefed-up” with extra solder for higher current handling.

Example Hookup:



Specifications:

- Input Power: 12 VDC
- Number of Circuits: 2
- Max Switched Current: 10 Amps (see note above)
- Board Dimensions: 2 x 2.5 inches

Disclaimer:

These boards are designed for educational use only. In no circumstances should these circuit boards be used in critical situations where failure could mean injury or property damage.

For more information, contact us at:

Info@SimpleCircuitBoards.com