

# SIMPLECIRCUITBOARDS.COM

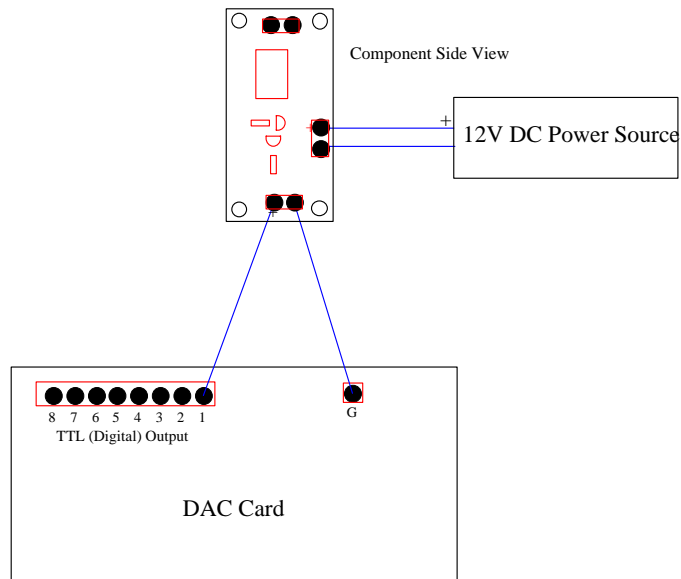
## TTL-Driven Relay Board – 1 Circuit – 1 Amp



This circuit allows you to use 1 bit (TTL) of digital output (available on almost all low-end DAC boards) to control another device or component that draws up to 1 Amp (relay, lamp, etc.). The device can either be an AC or DC device. A very nice small board with lots of uses.

### Miscellaneous Information:

### Example Hookup:



### Specifications:

- Input Power: 12 VDC
- Max Switched Current: 1 Amp
- Board Dimensions: 1 x 2 inches

### Disclaimer:

These boards are designed for educational use only. In no circumstances should these circuit boards be used in critical situations where failure could mean injury or property damage.

For more information, contact us at:

[Info@SimpleCircuitBoards.com](mailto:Info@SimpleCircuitBoards.com)